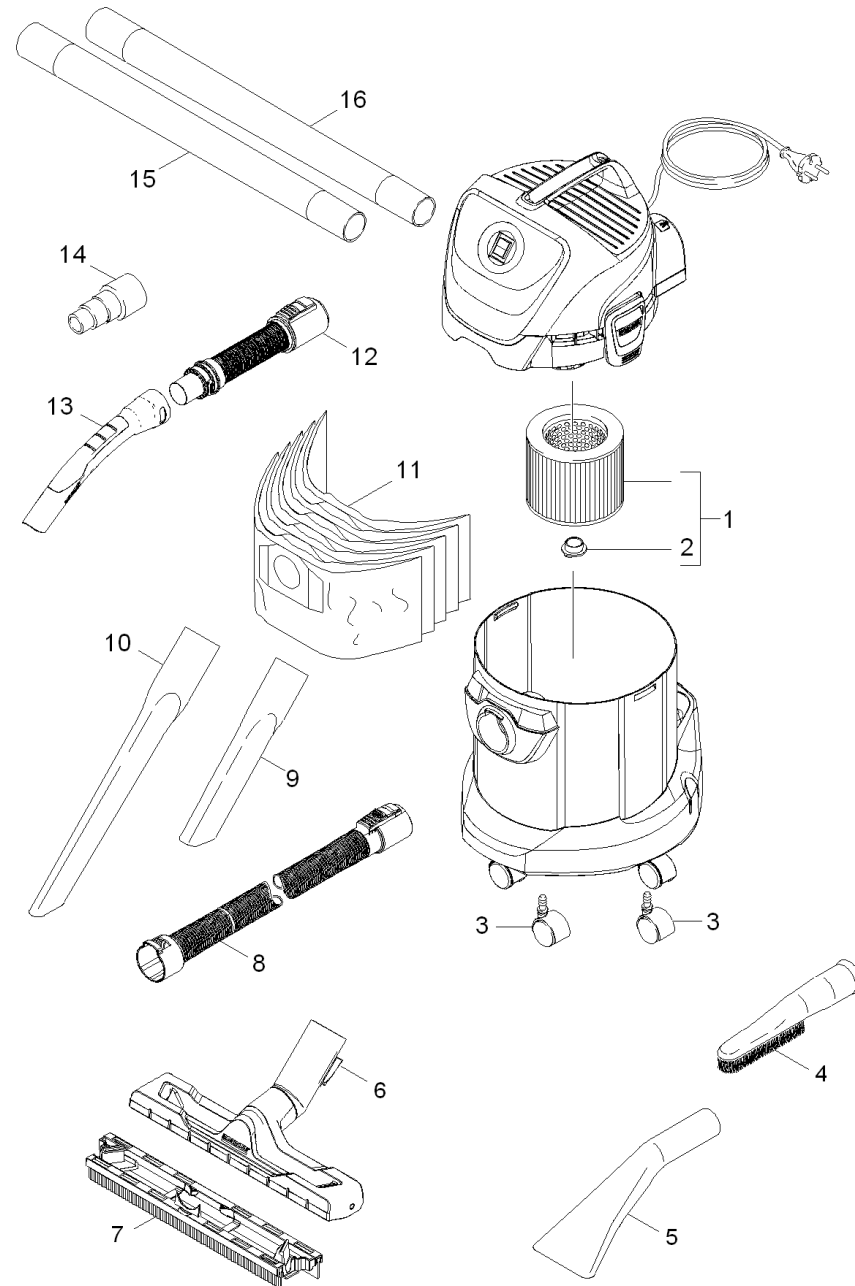


# Short spare parts list (1.629-800.3)

Home and Garden \ Vacuum cleaner \ Wet-/Dry vacuum cleanerwet \ WD 3 \*EU-I \ Short spare parts list



## Short spare parts list (1.629-800.3)

Home and Garden \ Vacuum cleaner \ Wet-/Dry vacuum cleanerwet \ WD 3 \*EU-I \ Short spare parts list

**KÄRCHER**

POS	Article no.	Description	Quantity	Unit
1	6.414-552.0	Cartridge filter	1.000	ST
2	4.075-012.0	Closure complete	1.000	ST
3	6.435-353.0	Castor D 42	2.000	ST
4	2.863-147.0	Suction brush black	1.000	ST
5	2.863-145.0	Car nozzle packaged	1.000	ST
6	4.629-013.0	Floor tool clip packaged	1.000	ST
7	4.629-016.0	Mixing insert floor nozzle packaged	1.000	ST
8	4.441-068.0	Hose extension packaged 1,5 m	1.000	ST
9	6.900-385.0	Crevice nozzle DN35	1.000	ST
10	2.863-144.0	Crevice nozzle 350mm	1.000	ST
11	6.959-130.0	Filter bags 5St.	1.000	ZSA
12	4.441-066.0	Hose complete packaged	1.000	ST
13	2.863-012.0	Hand grip suction hose	1.000	ST
14	9.048-061.0	Connecting sleeve	1.000	ST
15	2.863-148.0	Suction tube DN35	2.000	ST